

STMT-702W



Product overview

▪ Extremely accurate temperature measurement

High-precision medical-grade non-contact temperature measurement, combined with human wrist temperature measurement $\pm 0.2^{\circ}\text{C}$, real-time temperature measurement, automatic collection and recording of body temperature information.

▪ Temperature anomaly alert

If the temperature data exceeds the threshold set by the user, the terminal will issue an abnormal warning, effective screening of abnormal temperature personnel.

▪ Mask identification

The utility model can integrate the mask detection function, judge whether the passer-by wears a mask or not, and at the same time, carry on the face recognition comparison to the wearers, so as to ensure the security of the personal identity.

▪ Face recognition

Based on face recognition technology, non-contact access control and attendance, effectively avoid the potential risk of traditional contact access control.

▪ Anti-counterfeiting detection of binocular living body

Equipped with a binocular camera, can effectively resist photos, video and other cheating attacks to ensure the accuracy of data.

▪ Faces

It can quickly lock the target identity of body temperature abnormality through face recognition, and improve the efficiency of pre-warning, in-process and post-trace.

▪ Security and stability

Using high-performance, high-stability embedded Linux system, Built-in high performance AI processor.

▪ Rapid Deployment

Support for the installation of gate, wall, WI-FI / 4g network communication mode, rapid deployment, to meet the needs of various installation environments and scenarios, reduce the risk of cross-infection, save human and material resources.

▪ Use Environment

The temperature measurement accuracy is not affected by the working temperature of the airframe. The airframe IP54 protection grade is suitable for wide temperature range from 30°C to 70°C .

Order type

Model number	Account for
STMT-702W	Accuracy of temperature measurement 0.2°C

Applications

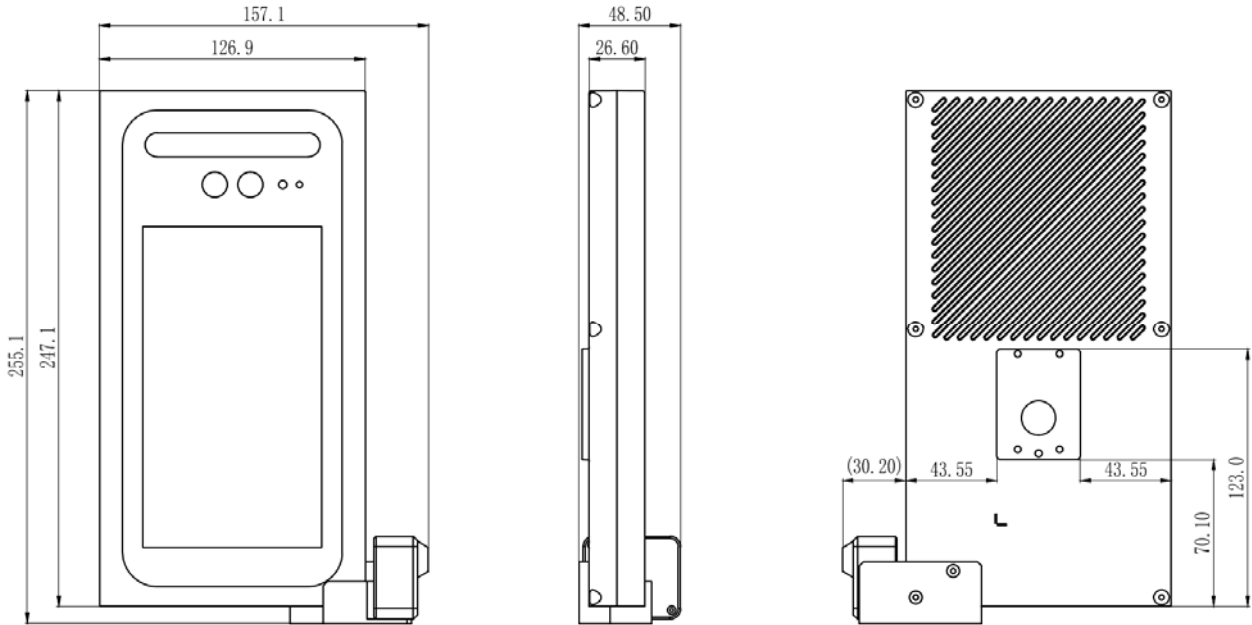
It is suitable for quick check of body temperature in subway station, customs port, airport, railway station, hospital, school, community, commercial super and check station, etc.

Product parameters

Basic Information	Name	Face recognition terminal for wrist temperature measurement
	Model	STMT-702W
	System	Linux
Display screen	Dimensions	7 inches
	Luminance	450cd/m2
	Resolution	1024×600
Cameras	Resolution	200W (1920×1080)
	Sensors	1/2.7" CMOS
	Lens	4mm & F2.2
	White balance	Automatic, low color temperature, high color temperature, manual
	WDR	Support
	Fill lamp	RGB and IR
Body temperature	Temperature range	30°C~45°C
	Temperature range	0-3cm
	Precision	0.2°C
Intelligent function	Detection Angle	Vertical: 90 degrees, horizontal: 53 degrees
	Face detection	Maximum face detection
	Storage capacity	30,000 faces, 150,000 records
	1: N	The recognition speed ≤0.2 s / person, the recognition accuracy ≥99.99%
	Stranger detection	Support
	Identification Distance	0.3m-2.0m
	Configuration settings	Web Configuration, remote device upgrade
	Identification parameter	Black and white list, detection sensitivity, comparison threshold, Area Defense, face frame switch
	Biopsy	Support
	Mask detection	Support
Interface	Means of communication	Support Cable
	Network	1 PCS 10/100M, RJ45
	Audio	Built-in speaker, voice broadcast
	Relay	1 Normally Open Signal, 1 normally closed signal
	Wigan	26, 34 (D0, D1, GND)
	Switching signal	Switch Button Access 1, door magnetic signal access 1
	Reset	Support
Conventional parameter	Power	DV12±30%
	Working Environment	Indoor Environment; -30°C~70°C &10~90%RH
	Protection level	IP54

	Installation mode	Bracket selection, wall mounting, brake mounting
	Dimensions (mm)	L*W*H:247mm*126.9mm *26.6mm
	Weight	≈1.5kg

Product size: (Unit: mm)



Renderings :

