

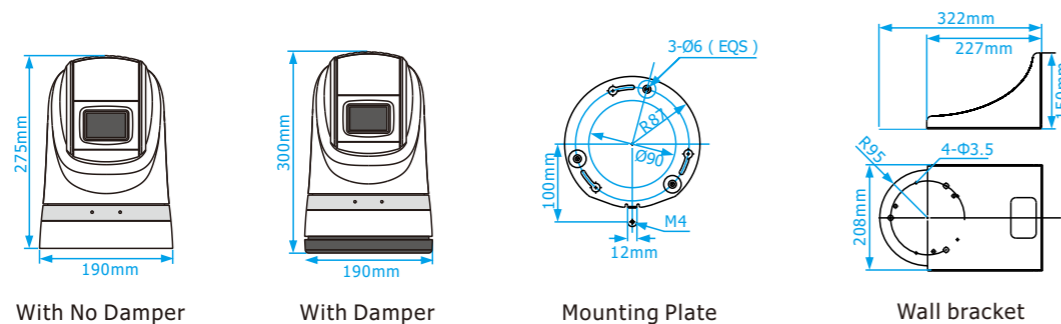
# PAC Analog PTZ Camera



## Features

- Aluminum PTZ case with high strength;
- IP index up to IP67, full weather proof;
- Powerful aux IR system, range up to 120 meters;
- Hidden seamless window wiper with adjustable speed;
- Built-in defogger;
- New design of drive system, PTZ positioning precision up to +/-0.2°;
- Baud rate, protocol self-adaptive;
- Digital image stabilization (DIS);
- Image flip for stand / ceiling mount;
- Day/night (ICR);
- 10.8~28V voltage input;
- Auto power-off with low power supply.

## Dimensions



## Technical Data

Model	PAC-S3603-IR(WL)	PAC-S2801-IR(WL)		
<b>Camera</b>				
Image Sensor	1/4" SONY EX-View HAD CCD			
Effective Pixel	PAL: 752(H) × 582(V); NTSC: 768(H) × 494(V)			
Video Format	PAL / NTSC			
Resolution	550 TVL			
Min Illumination	Color: 0.1Lux; B/W: 0.01Lux	Color: 0.16Lux; B/W: 0.0015Lux		
WB	Auto			
Focus	Auto / Manual			
Exposure Control	Auto / Manual			
S/N Ratio	Not less than 50DB			
BLC	On / Off			
Digital Image Stabilization	On / Off			
WDR	Yes	No		
Day/Night	Yes			
Digital Noise Reduction	1~5 Steps / OFF			
D/N ICR	Auto / Manual			
<b>Lens</b>				
Optical Zoom	36X	28X		
Digital Zoom	12X			
Focal	f=3.4mm ~ 122.4mm	f=3.5mm ~ 98mm		
IRIS	F1.6 ~ F4.5	F1.35 ~ F3.7		
View Angle	57.8° (H) ~ 1.7° (V)	55.8° (H) ~ 2.1° (V)		
<b>PTZ</b>				
Pan Range	360° Continuous			
Pan Speed	Control Speed: 0.5° ~ 80°/s, adjustable; Preset Speed: 80°/s			
Tilt Range	-15° ~ 90° (Auto Flip)			
Tilt Speed	Control Speed: 0.5° ~ 75°/s, adjustable; Preset Speed: 75°/s			
Preset No	256			
Preset Precision	±0.2°			
<b>Lights Options</b>	<b>IR Lights</b>	<b>White Lights</b>	<b>IR Lights</b>	<b>White Lights</b>
Wave Length	850nm/940nm	6500K	850nm/940nm	6500K
Color Temperature				
Range	120m(850nm) / 60m(940nm)	120m	120m(850nm) / 60m(940nm)	120m
Switch	Auto / Manual	Manual	Auto / Manual	Manual
<b>General</b>				
Menu Language	English			
Comm Interface	RS-485			
Address	0 ~ 255			
Comm Protocol	PELCO-P / PELCO-D (Self-Adaptive)			
Baud Rate	2400bps, 4800bps, 9600bps, 19200bps (Self-Adaptive)			
Voltage	DC10.8 ~ 28V			
Power	10W (Heater and Lights Off) 20W (Heater On and Lights Off) 30W (Heater and Lights On)			
Working Temperature	-35°C ~ +65°C			
IP Index	IP67			
Other Protection	TVS			
Dimension	Standard: Φ190(mm)×275(mm); With Damper: Φ190(mm)×300(mm)			
Weight	Standard: 4.9Kg; Optional: 5.65Kg (With Damper)			