

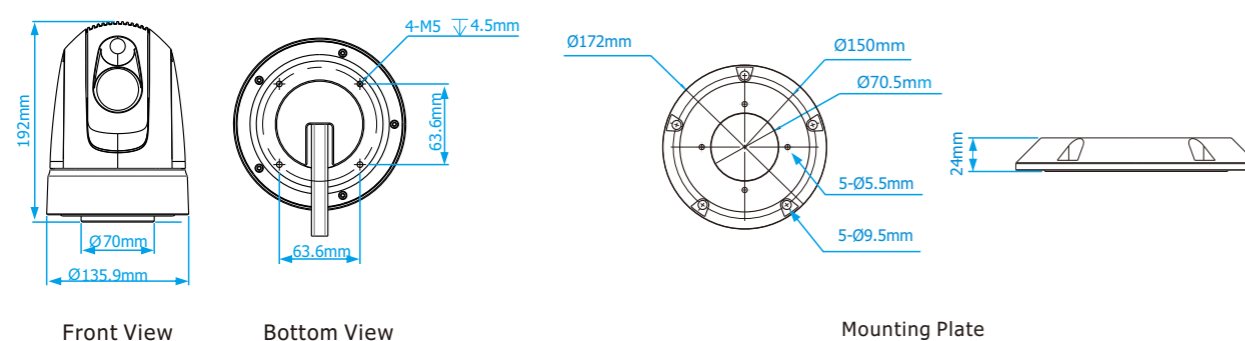
PATC-D IP+Analog Thermal PTZ Camera



Features

- Uncooled Amorphous Silicon FPA, resolution: 384X288 / 640x480;
- 1/2.8" CMOS color visual camera, 2.14MP;
- CVBS for color visual camera or thermal imaging camera;
- Dual H.264 output for color visual camera and thermal imaging camera;
- Wide Dynamic Range (WDR);
- Day/night (ICR);
- Soft PTZ address, self-adaption of protocol and baud rate;
- 10.8~28V wide range voltage input;
- Waterproof index: IP66;
- Auto power-off with low power supply.

Dimensions



Technical Data

Model	PATC-DZ319	PATC-DZ619
Thermal Imaging Camera		
Sensor Type	Uncooled Amorphous Silicon FPA	
Resolutions	384 x 288	640 x 480
Sensor Size	17µm	
Aperture	F0.9	
Focus	Fixed	
NETD(300K)	≤60mK	
FOV	19mm: 19.5° x 14.7°	19mm: 32.5° x 24.5°
Angular Resolution	1.3Mrad	
Detecting Range	Vehicle: 2570m Man: 550m	
Recognition Range	Vehicle: 640m Man: 130m	
Digital Zoom	1X, 2X, 4X	
Video Display	Black Hot / White Hot	
Daylight Imaging Camera		
Video Sensor	1/2.8" Progressive Scan CMOS	
Image Sensor	2.14MP	
Lens	Fixed Focus	
DNR	1~5 Steps / Off	
Day/Night	Auto / Manual	
WDR	On / Off	
PTZ		
Pan Range	360° Continuous	
Pan Speed	Control Speed: 0.1° ~ 60°/s, adjustable; Preset Speed: 60°/s	
Tilt Range	-15° ~ 90° (Auto Flip)	
Tilt Speed	Control Speed: 0.2° ~ 60°/s, adjustable; Preset Speed: 60°/s	
Preset No	256	
Preset Precision	±0.2°	
Network		
Thermal Image Resolution	PAL:720x576 NTSC : 720x480	
Daylight Image Resolution	PAL:1080P25, 720P50, 720P25 NTSC : 1080P30, 720P60, 720P30	
Image Compression	H.264	
Protocols	HTTP, RTSP, TCP, UDP, ONVIF	
Simultaneous Live View	Up to 10	
Dual Stream	Yes	
Ethernet Interface	10 / 100M	
Audio Interface	1 LINE IN	
General		
Menu Language	English	
Control Interface	RS-485	
Address	0 ~ 255	
Comm Protocol	PELCO-P / PELCO-D (Self-Adaptive)	
Baud Rate	2400bps, 4800bps, 9600bps, 19200bps (Self-Adaptive)	
Voltage	DC10.8 ~ 28V	
Power	Min: 12W; Max: 25W	
Working Temperature	-30°C ~ +55°C	
IP Index	IP66	
Dimension	Φ135.9(mm) x 192(mm)	
Weight	2.1Kg	