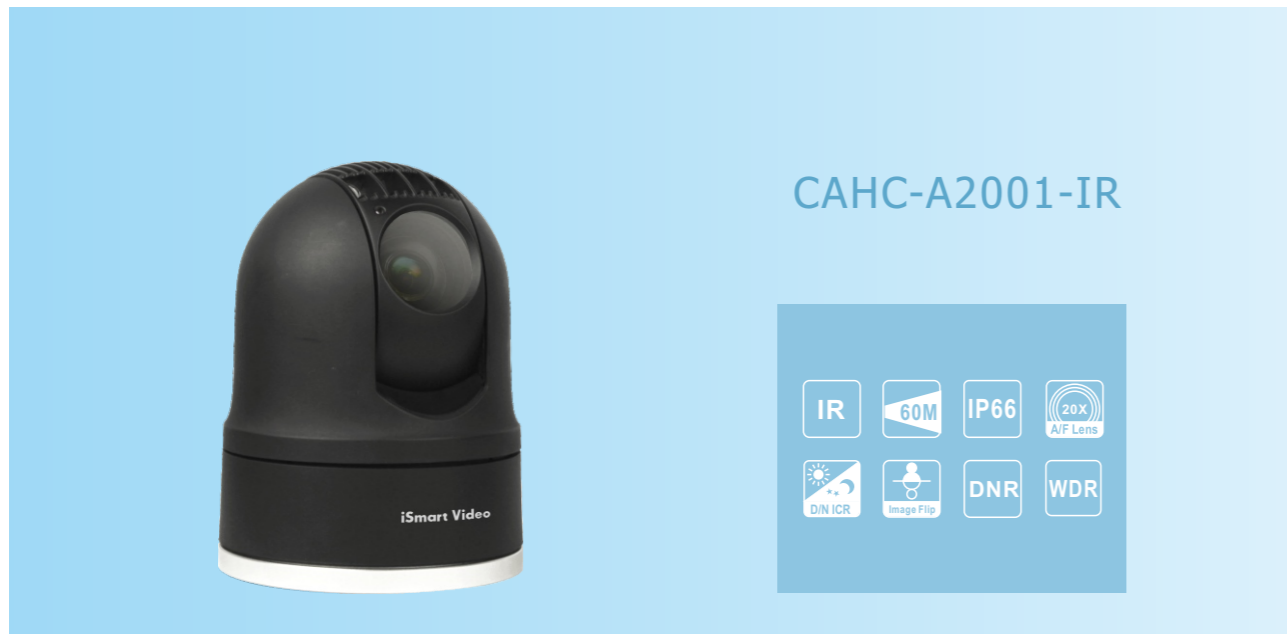


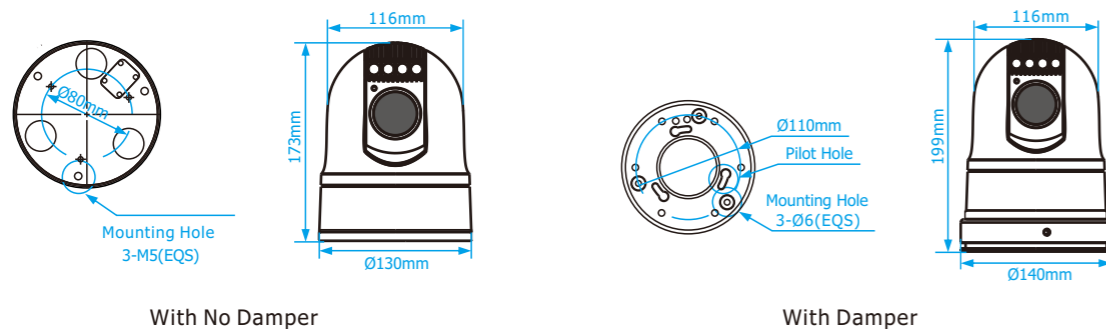
CAHC HD-SDI PTZ Camera



Features

- 2.14MP HD sensor, supporting 1080p, 1080i, 720p output, full digital video technology;
- HD-SDI for transfer of HD video;
- Efficient 60m IR lighting, excellent night vision performance;
- Portable with compact design & high reliability;
- Optional damping system;
- WDR supported;
- Built-in defogger;
- Self-adaption of Protocol & Baud rate;
- Wide range of voltage input (10.8-28V);
- Auto power-off with low power supply.

Dimensions



Technical Data

Model Camera	CAHC-A2001-IR
Image Sensor	1/2.8" CMOS
Effective Pixel	2.14MP
Signal System (HD)	1080P30, 1080P25, 1080I60, 1080I50, 720P60, 720P50, 720P30, 720P25
Min Illumination	Color: 0.5Lux; B/W: 0.1Lux
WB	Auto
Focus	Auto / Manual / PTZ Trigger
Exposure	Auto / Shutter priority
S/N Ratio	Not less than 50DB
BLC	On / Off
WDR	On / Off
Digital Noise Reduction	1~5 Steps / OFF
D/N ICR	Auto / Manual
Lens	
Optical Zoom	20X
Digital Zoom	12X
Focal	f=4.7mm ~ 94mm
IRIS	F1.6 ~ F3.5
View Angle	59.5° ~ 2.9°
PTZ	
Pan Range	360° Continuous
Pan Speed	Control Speed: 0.3°~ 80°/s, adjustable; Preset Speed: 80°/s
Tilt Range	-15°~ 90° (Auto Flip)
Tilt Speed	Control Speed: 0.3°~ 35°/s, adjustable; Preset Speed: 35°/s
Preset No	256
IR Light	
IR Wave Length	850nm
Range	60m(850nm)
Switch	Auto / Manual
General	
Menu Language	English
Comm Interface	RS-485
Video Interface	HD: HD-SDI
Address	0 ~ 255
Comm Protocol	PELCO-P / PELCO-D (Self-Adaptive)
Baud Rate	2400bps, 4800bps, 9600bps, 19200bps (Self-Adaptive)
Voltage	DC10.8 ~ 28V
Defogger	On / Off
Power	10W (Standby); 28W (Aux Lights ON, Defogger ON, And P/T Running Continuously)
Working Temperature	-25°C~ +65°C
IP Index	IP66
Other Protection	TVS
Mounting Type	Magnet / Fixed / Fixed With Damper
Dimensions	Φ130(mm)×173(mm) W/O Damper; Φ140(mm)×199(mm) With Damper
Weight	Fixed Mount: 1.7Kg; Magnet Mount: 1.6Kg; Fixed With Damper: 2.1Kg