

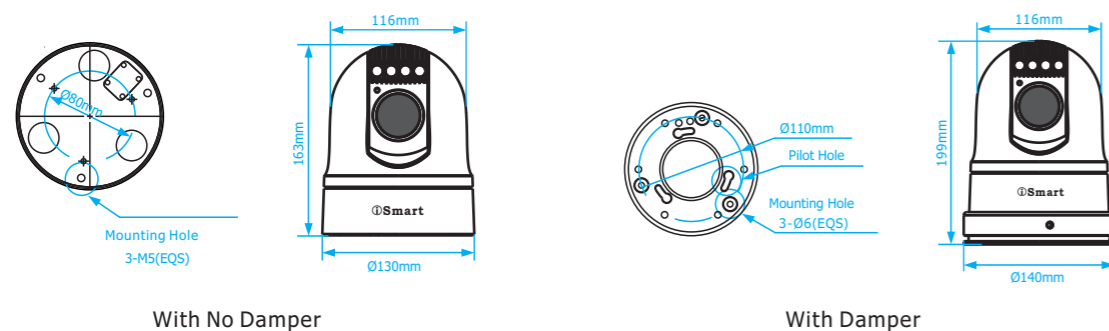
CAHC HD-SDI PTZ Camera



Features

- 2.14MP HD sensor, supporting 1080p, 1080i, 720p output, full digital video technology;
- HD-SDI for transfer of HD video;
- Efficient 60m IR lighting, excellent night vision performance;
- Portable with compact design & high reliability;
- Optional damping system;
- Digital Image Stabilization (DIS);
- WDR supported;
- Built-in defogger;
- Self-adaption of Protocol & Baud rate;
- Wide range of voltage input (10.8-28V);
- Auto power-off with low power supply;

Dimensions



CAHC HD-SDI PTZ Camera

Model	CAHC-A2001-IR
Camera	
Image Sensor	1/2.8" CMOS
Effective Pixel	2.14MP
Signal system (HD)	1080p30, 1080p25, 1080i60, 1080i50, 720p60, 720p50, 720p30, 720p25
Min Illumination	Color: 0.5Lux; B/W: 0.1Lux
WB	Auto
Focus	Auto / Manual / PTZ Trigger
Exposure	Auto / Shutter priority
S/N Ratio	Not less than 50DB
BLC	On / Off
WDR	On / Off
Image Stabilization	On / Off
Digital Noise Reduction	1~5 Steps / OFF
Day/Night	Auto / Manual
Lens	
Optical Zoom	20X
Digital Zoom	12X
Focal	f=4.7mm ~ 94mm
IRIS	F1.6 ~ F3.5
View Angle	59.5° ~ 2.9°
PTZ	
Pan Range	360° Continuous
Pan Speed	Control Speed: 0.3°~ 80°/s, Adjustable; Preset Speed: 80°/s
Tilt Range	-15°~ 90° (Auto Flip)
Tilt Speed	Control Speed: 0.3°~ 80°/s, Adjustable; Preset Speed: 80°/s
Preset No	256
Preset Precision	±0.2°
IR Light	
IR Wave Length	850nm / 940nm
Range	60m(850nm) / 30m(940nm)
Switch	Auto / Manual
General	
OSD Language	English
Comm. Interface	RS-485
Video Interface	HD: HD-SDI
Protocol	VISCA / PELCO-P / PELCO-D
Defogger	On / Off
Baud Rate	2400bps, 4800bps, 9600bps, 19200bps (Self-Adaptive)
Address	0 ~ 255
Voltage	DC10.8 ~ 28V
Power	10W (Standby); 28W (Aux Lights ON, Defogger ON, And P/T Running Continuously)
Working Temperature	-30°C~+65°C
IP Index	IP66
Other Protection	TVS
Mounting Type	Magnet / Fixed / Fixed With Damper
Dimensions	Φ130(mm)×163(mm) W/O Damper; Φ140(mm)×199(mm) With Damper
Weight	Fixed Mount: 1.7kg; Magnet Mount: 1.6kg; Fixed With Damper: 2.1kg